

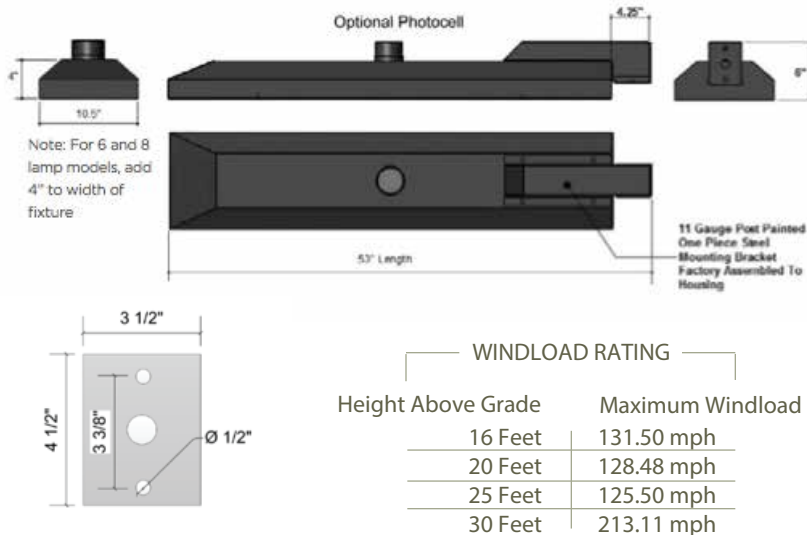
OUTDOOR SITE LUMINAIRE



FEATURES

- ▶ Rugged construction
- ▶ Utilizes high efficiency T5HO fluorescent lamps
- ▶ Structural Integrity and EPA Values Independently Certified

MOUNTING OPTIONS AND DIMENSIONAL DATA



APPLICATION

- ▶ Exterior pole mount
- ▶ Retail, Institutional, and Industrial

MOUNTING

- ▶ Factory installed heavy gauge structural mount post-painted.
- ▶ Grade "A" Class 3 mounting hardware included.

CONSTRUCTION

- ▶ Heavy gauge seam welded aluminum
- ▶ Lens frame is single piece construction.
- ▶ Tempered 3/16" thick glass lens.
- ▶ Specular optics provide increased efficiency over existing HID lighting.

ELECTRICAL

- ▶ Quality name brand Class P, HPF electric ballasts.
- ▶ Lamps secured in place with rotating camlock lampholders.
- ▶ Optional 480VAC
- ▶ U.L. Listed wet location.
- ▶ Ships standard with 3 ft. S.O. cord.

ORDER LOGIC

